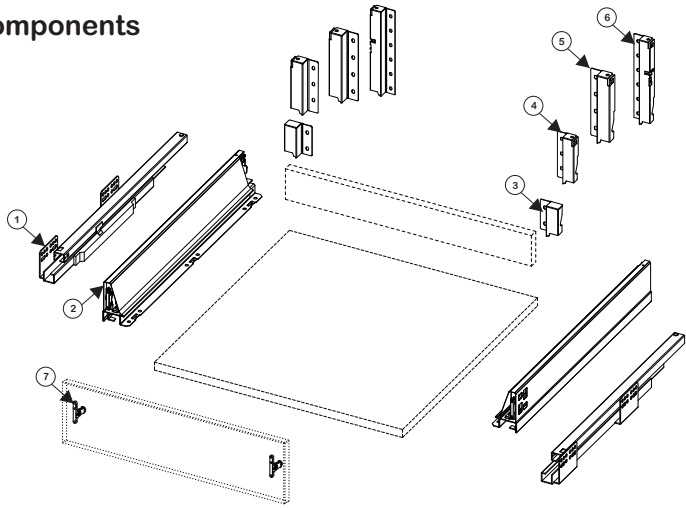
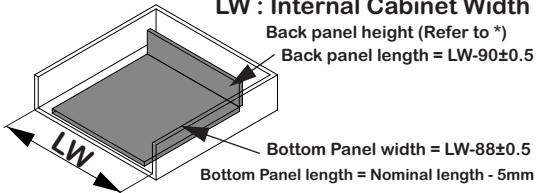


Components

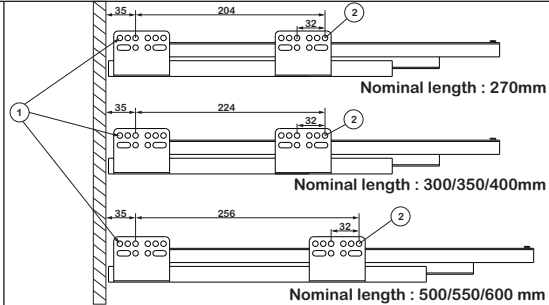


	Item No.	Nominal Length	Internal Drawer Length	Min. Installation Length of Drawer
01) Slide (L/R)				
02) Drawer Panel (L/R)				
03) RCB - 78	DRBX - 300	300	294	310
04) RCB - 128	DRBX - 350	350	344	360
05) RCB - 146	DRBX - 400	400	394	410
06) RCB - 206	DRBX - 450	450	444	460
07) Shutter Fixing Bracket	DRBX - 500	500	494	510
	DRBX - 550	550	544	560

Bottom & Back panels measurements >  
 LW : Internal Cabinet Width  
 Back panel height (Refer to \*)  
 Back panel length = LW-90±0.5

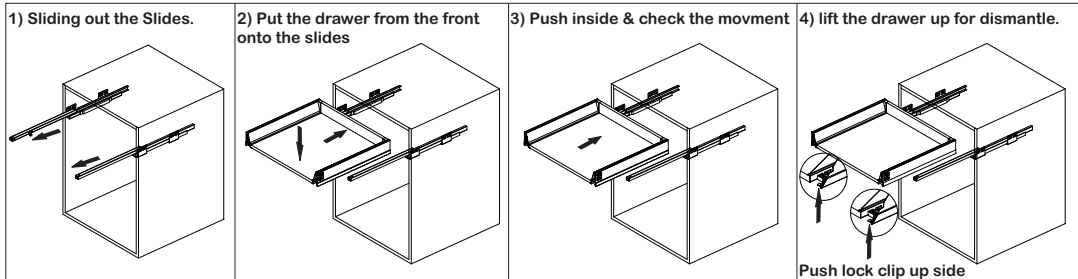


Item No.	BL 78	BL 128	BL 205
Back panel height	60	110	187

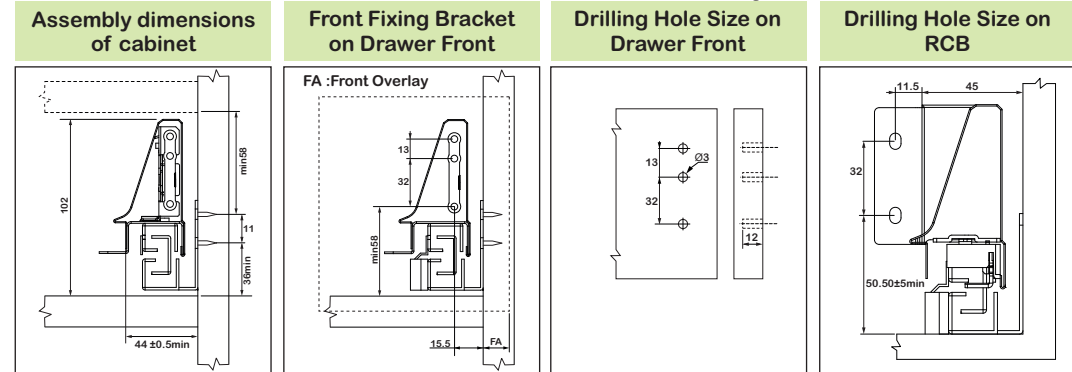


- ① This drilling hole can be used when the slides are at close position.
- ② This drilling hole can be used when the slides are pulled out.

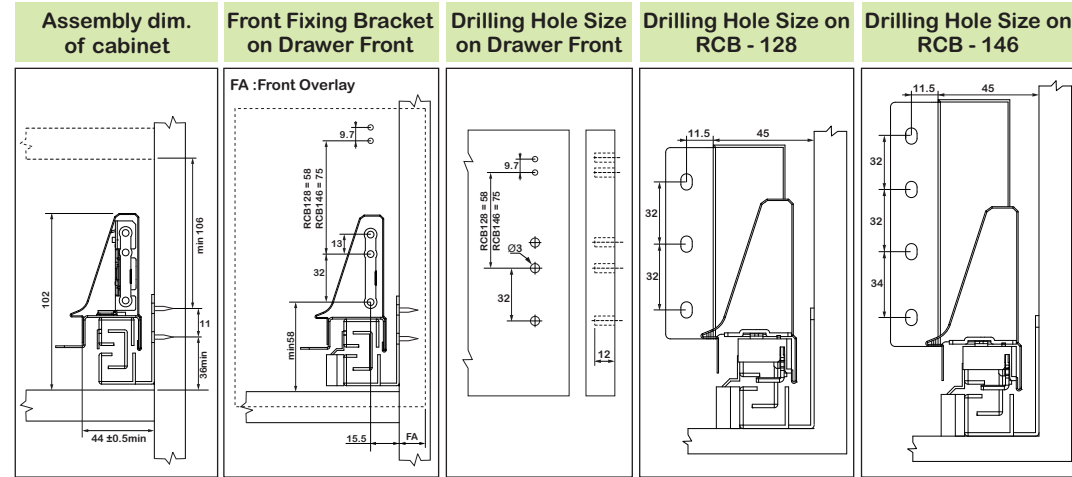
Install & Dismantle of drawer >



< Assembly dimensions for RCB-78



< Assembly dimensions for RCB - 128 And RCB - 146



< Assembly dimensions for RCB-206

